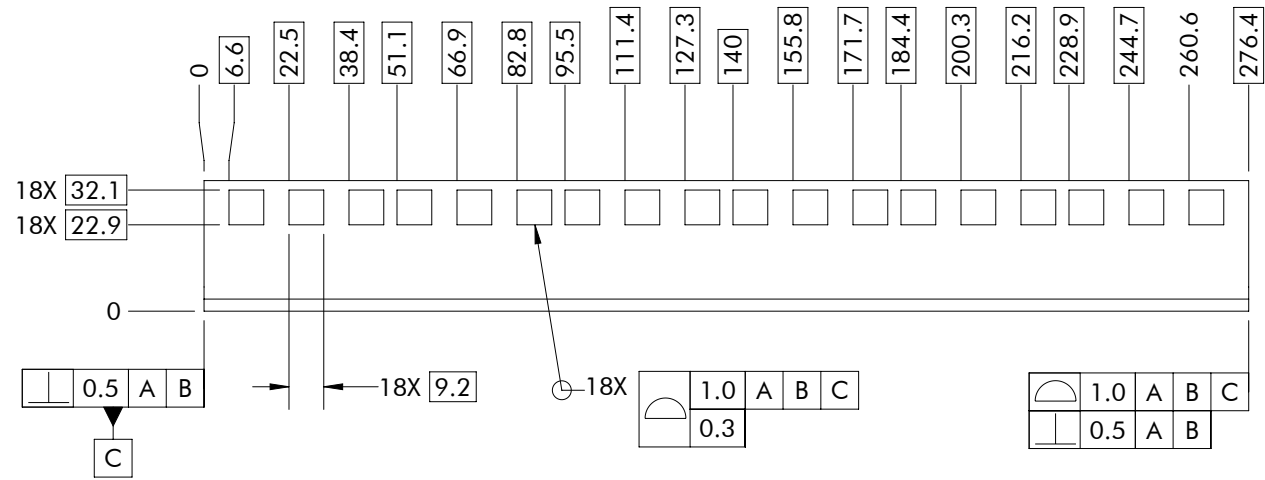
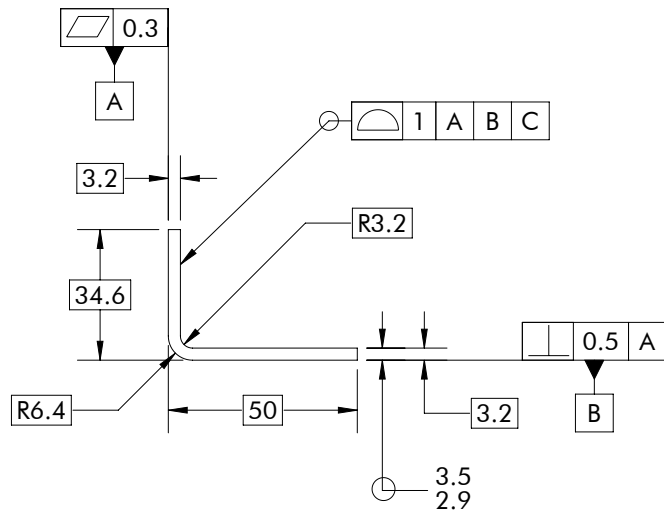
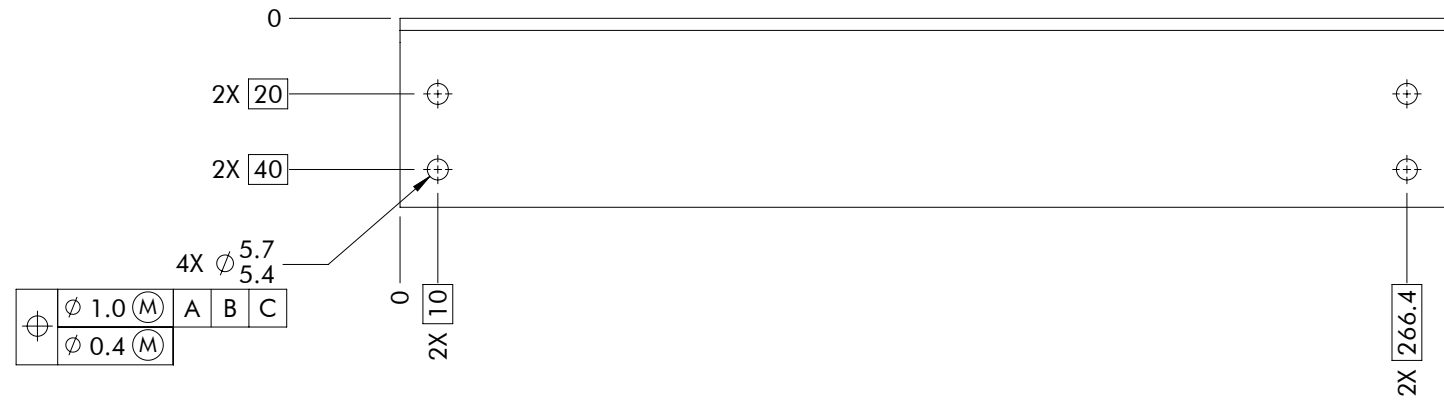


1 2 3 4 5 6 7 8 9 10 11 12 13 14

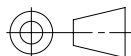
NOTES:

- 1. ITEM MATERIAL SHALL BE ALUMINUM ALLOY, ALUMINIUM ASSOCIATION TYPE 5052-H32 OR 6061-T6
- 2. SURFACES SHALL BEAR ANODIC COATING IN ACCORDANCE WITH MIL-A-8625, TYPE II CLASS 2, COLOUR BLACK
- 3. DIMENSIONAL REQUIREMENTS APPLY AFTER COATING
- 4. EXTERNAL EDGES SHALL CONFORM TO R0.3 ± 0.2
- 5. INTERNAL EDGES SHALL CONFORM TO R0.2 MAX
- 6. ITEM MAY BE ELASTICALLY CONSTRAINED DURING INSPECTION TO SATISFY DIMENSIONAL REQUIREMENTS



TEMPLATE 020836-DTT\_11

THIRD ANGLE PROJECTION



UNLESS OTHERWISE SPECIFIED

UNITS ARE MILLIMETRES & GRAMS  
 NOTES SUPERSEDE TITLE BLOCK  
 CALLOUTS SUPERSEDE NOTES  
 DIMENSIONS & TOLERANCES SHALL BE INTERPRETED  
 IN ACCORDANCE WITH ASME Y14.5-2018



PROPRIETARY AND CONFIDENTIAL  
 INFORMATION CONTAINED IN THIS DRAWING IS  
 THE SOLE PROPERTY OF CLEARPATH ROBOTICS INC.  
 PROHIBITED TO REPRODUCE IN PART OR AS A WHOLE WITHOUT  
 WRITTEN PERMISSION OF CLEARPATH ROBOTICS INC.

DRAFT RF 9 MAR 2022

ITEM NAME

BEAM—RACK, UPRIGHT RAILS, 6U

PAPER 432 X 279 SCALE 1:2 DO NOT SCALE

ITEM NUMBER

026960

SHEET 1 OF 1

REV.

1