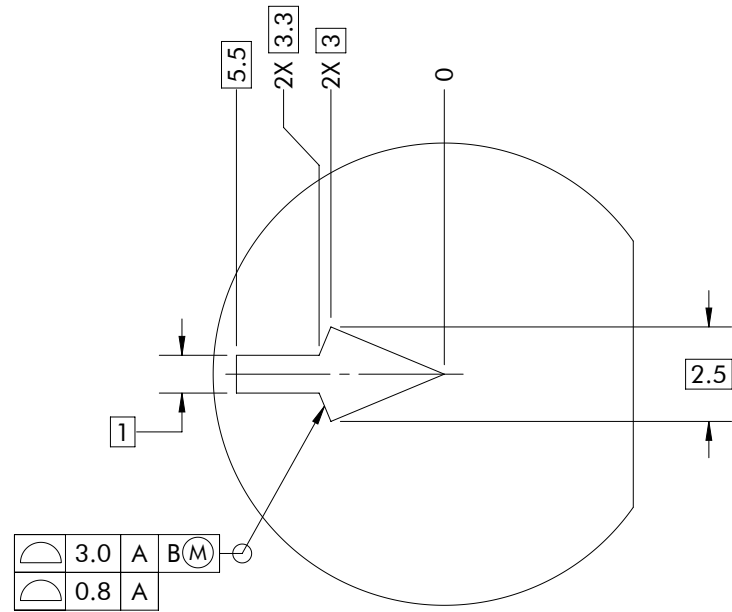
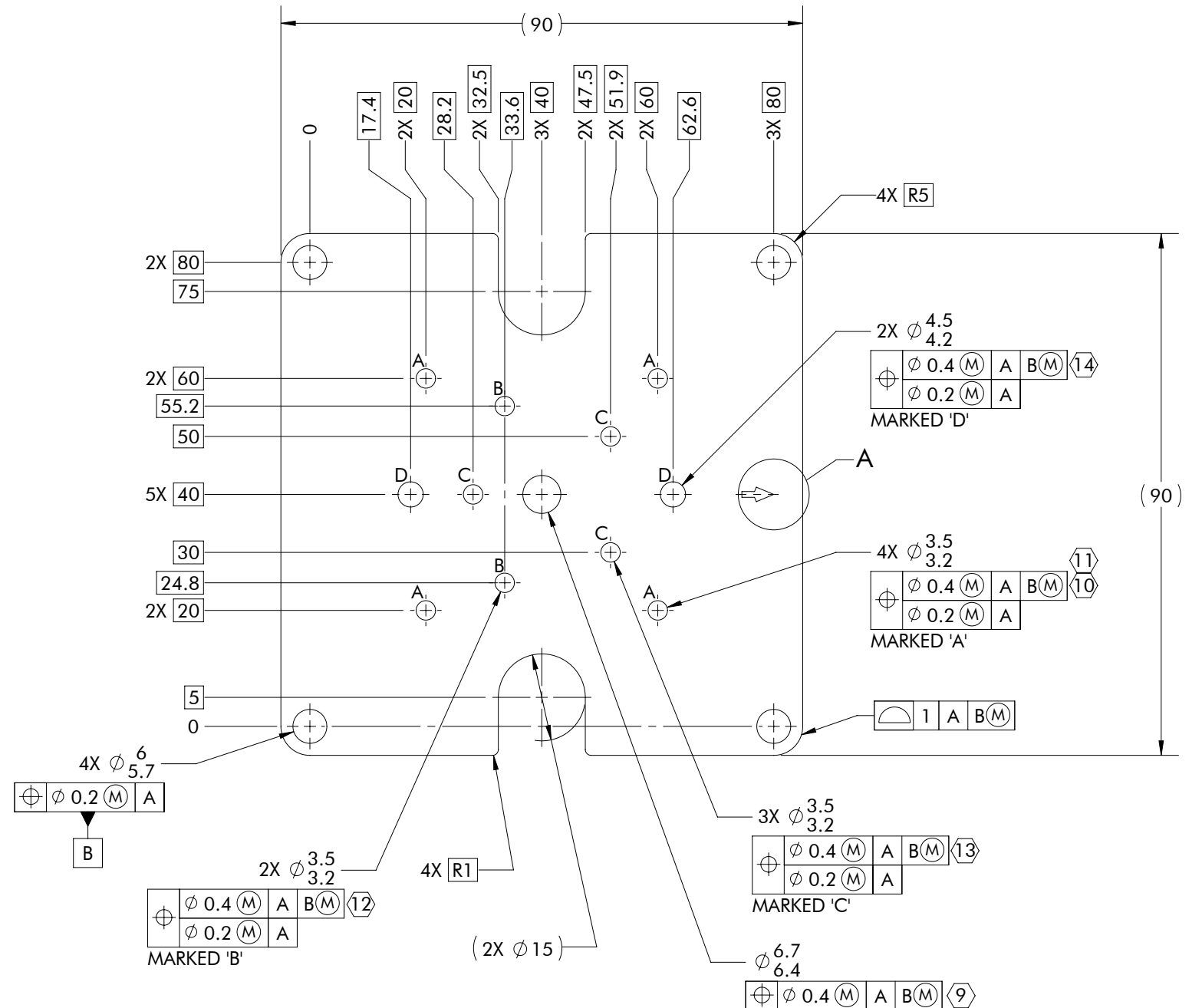
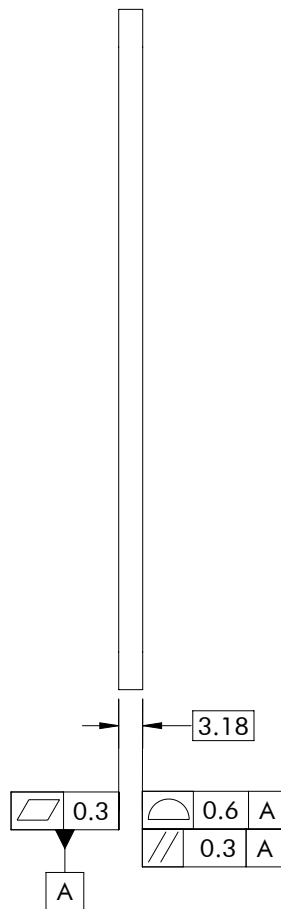


NOTES:

1. ITEM MATERIAL SHALL BE ALUMINUM ALLOY, ALUMINIUM ASSOCIATION TYPE 5052 OR 6061
2. SURFACES SHALL BEAR ANODIC COATING OR POWDER COATING
3. ANODIC COATING SHALL BE IN ACCORDANCE WITH MIL-A-8625, TYPE II CLASS 2, COLOUR BLACK
4. POWDER COATING SHALL BE CURED, TIGER DRYLAC 39/80200, MATTE, FINE TEXTURE, COLOUR BLACK
5. DIMENSIONAL REQUIREMENTS APPLY AFTER COATING
6. EXTERNAL EDGES SHALL CONFORM TO $R0.3 \pm 0.2$
7. INTERNAL EDGES SHALL CONFORM TO $R0.2$ MAX
8. ITEM MAY BE ELASTICALLY CONSTRAINED DURING INSPECTION TO SATISFY DIMENSIONAL REQUIREMENTS
- 9 (NOTE FOR INTEGRATION—MOUNTS FOR VELODYNE, AND #0.25-20 CAMERA)
- 10 (NOTE FOR INTEGRATION—MOUNTS FOR HOKUYO, AND KINOVA, AND RISER STRUCTURE)
- 11 (NOTE FOR INTEGRATION—HOLES MARKED 'A' NEED TO BE ENLARGED FOR KINOVA, AND RISER STRUCTURE)
- 12 (NOTE FOR INTEGRATION—MOUNTS FOR MICROSTRAIN)
- 13 (NOTE FOR INTEGRATION—MOUNTS FOR FLIR BLACKFLY)
- 14 (NOTE FOR INTEGRATION—MOUNTS FOR STACK LIGHT)

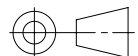


DETAIL A
SCALE 5 : 1



TEMPLATE 020836-DTT_11

THIRD ANGLE
PROJECTION



UNLESS
OTHERWISE
SPECIFIED

UNITS ARE MILLIMETRES & GRAMS
NOTES SUPERSEDE TITLE BLOCK
CALLOUTS SUPERSEDE NOTES
DIMENSIONS & TOLERANCES SHALL BE INTERPRETED
IN ACCORDANCE WITH ASME Y14.5-2018



PROPRIETARY AND CONFIDENTIAL
INFORMATION CONTAINED IN THIS DRAWING IS
THE SOLE PROPERTY OF CLEARPATH ROBOTICS INC.
PROHIBITED TO REPRODUCE IN PART OR AS A WHOLE WITHOUT
WRITTEN PERMISSION OF CLEARPATH ROBOTICS INC.

DRAFT RF 9 MAR 2022

ITEM
NAME

PLATE—80 X 80, ATTACHMENT INTERFACE

PAPER 432 X 279 SCALE 1:1 DO NOT SCALE

ITEM
NUMBER

026914

SHEET 1 OF 1

REV.

2