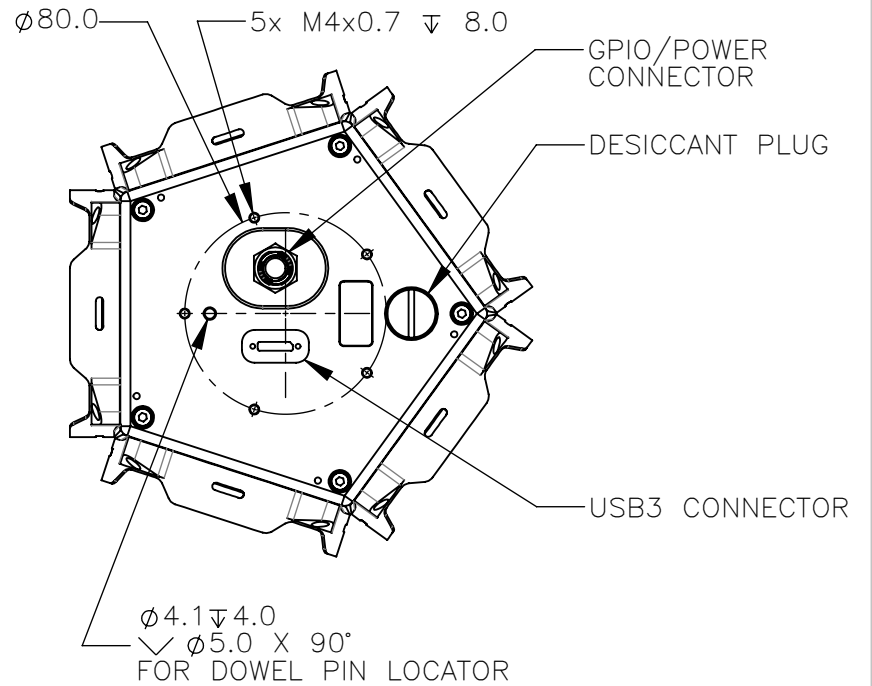
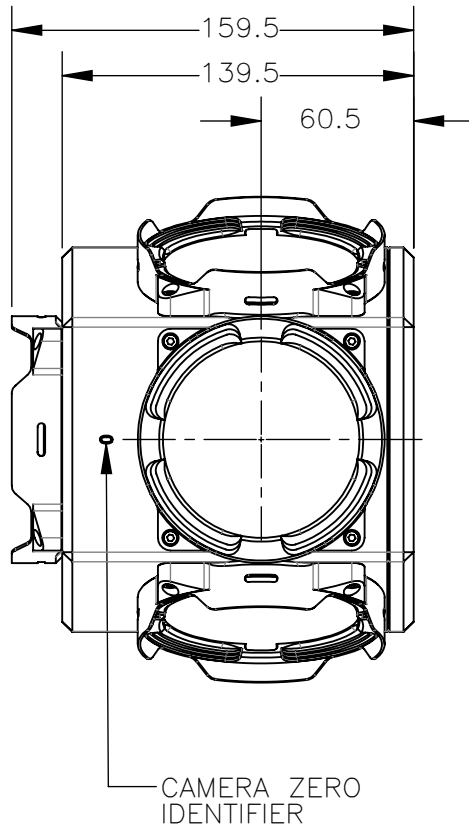
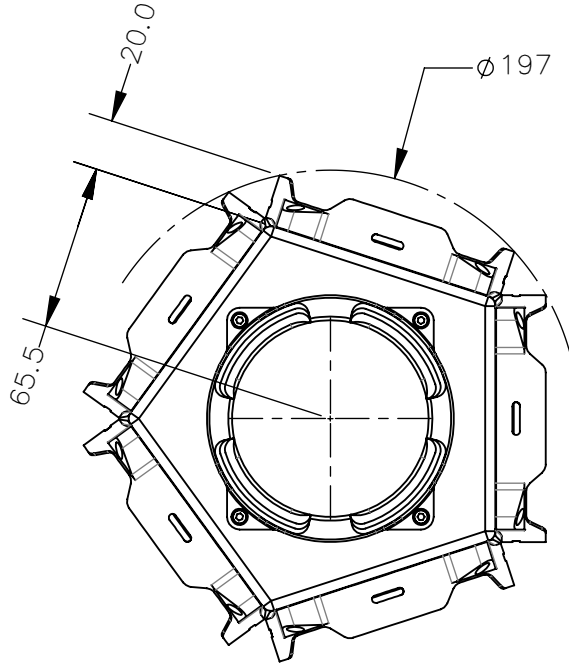
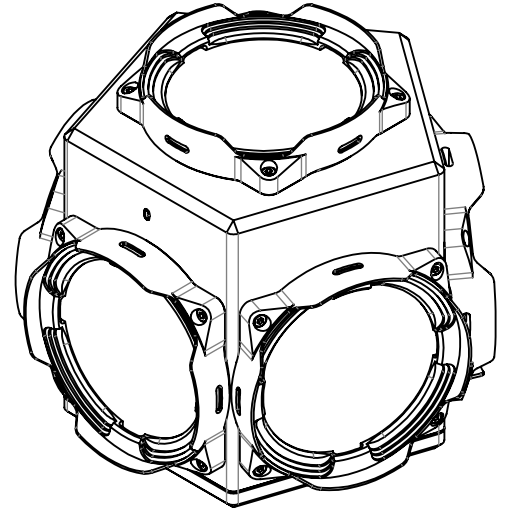
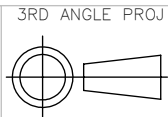


REVISIONS

REV.	DESCRIPTION	DATE	DONE BY
0	INITIAL RELEASE	05.DEC.16	GUS



PROPRIETARY AND CONFIDENTIAL
 THE INFORMATION CONTAINED IN THIS DRAWING
 IS THE SOLE PROPERTY OF POINT GREY
 RESEARCH INC. ANY REPRODUCTION IN PART OR
 WHOLE WITHOUT THE WRITTEN PERMISSION OF
 POINT GREY RESEARCH INC. IS PROHIBITED.



TOLERANCES

X.X	±0.3
X.XX	±0.10
X.XXX	±0.020
ANGLES	±0.5°

UNLESS OTHERWISE STATED:
 ALL DIMENSIONS IN MM
 MACHINE FINISH 1.6µM

SCALE	DWG NO
1:3	LD5-002-R0
SIZE	TITLE
A	LD5P

SHEET	REV
1 OF 1	1